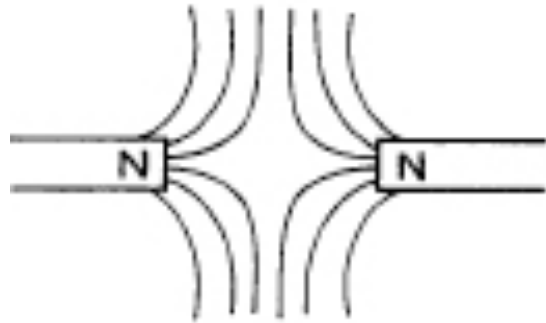


Lab: Magnetic Force, Part One

When you hold two magnets close to one another, they feel either an attractive or a repulsive force between them, depending on their orientation. It appears that the magnitude of this force depends on the distance between the two magnets. But how?



Question: *How does the force between two magnets change if you change the distance between them?*

Timetable

I. Pre-Lab Discussion	10 min	Whole class
II. Planning the Experiment	20 min	Groups of 4
III. Data Collecting	20 min	Groups of 4
IV. Class Discussion	20 min	Whole Class
V. More Data Collecting, Lab Report	40 min	Groups of 4