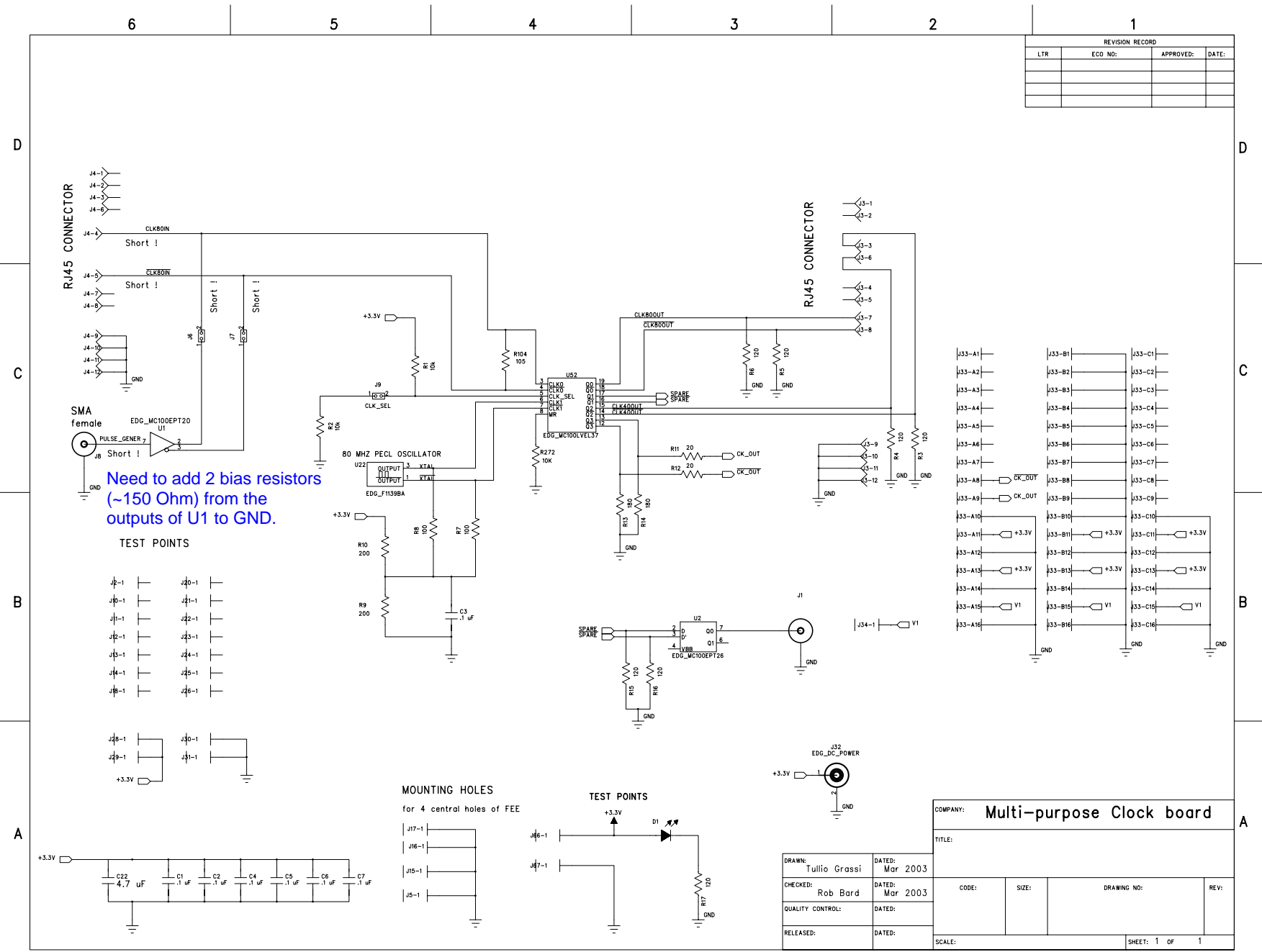
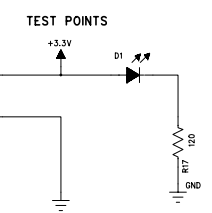
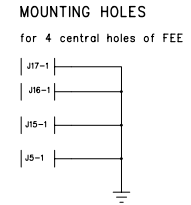
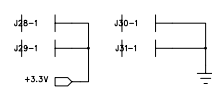
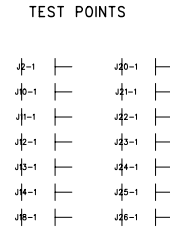


REVISION RECORD			
LTR	ECO NO:	APPROVED:	DATE:



Need to add 2 bias resistors (~150 Ohm) from the outputs of U1 to GND.



DRAWN: Tullio Grassi	DATED: Mar 2003
CHECKED: Rob Bard	DATED: Mar 2003
QUALITY CONTROL:	DATED:
RELEASED:	DATED:

COMPANY: Multi-purpose Clock board			
TITLE:			
CODE:	SIZE:	DRAWING NO:	REV:
SCALE:			SHEET: 1 OF 1

