
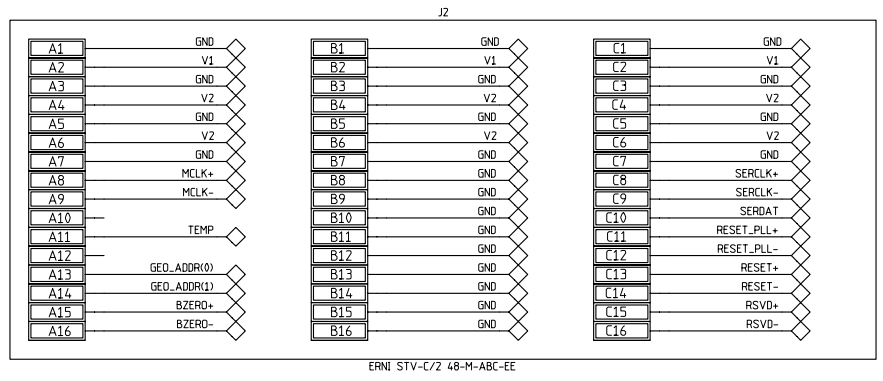
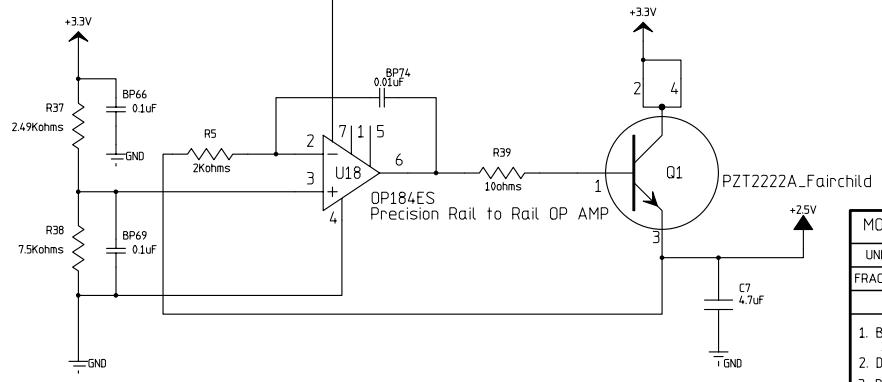
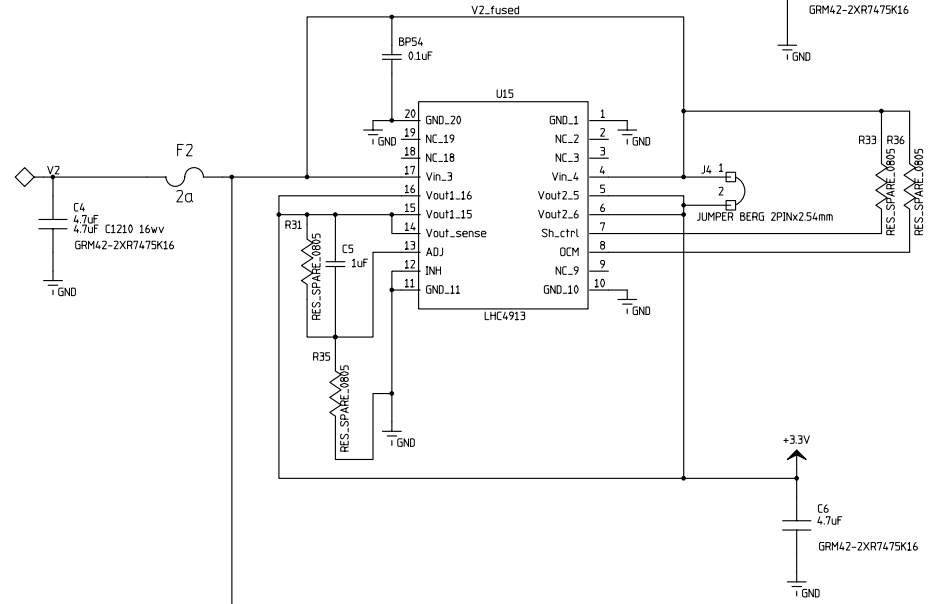
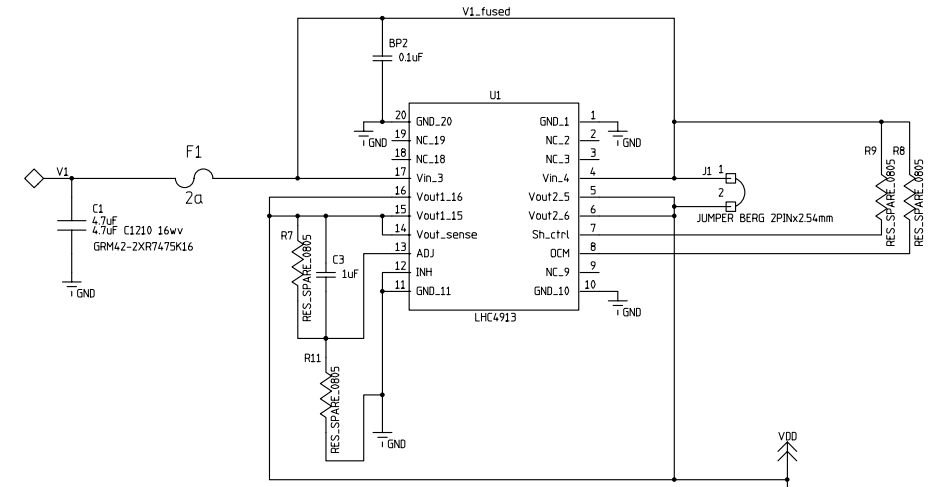
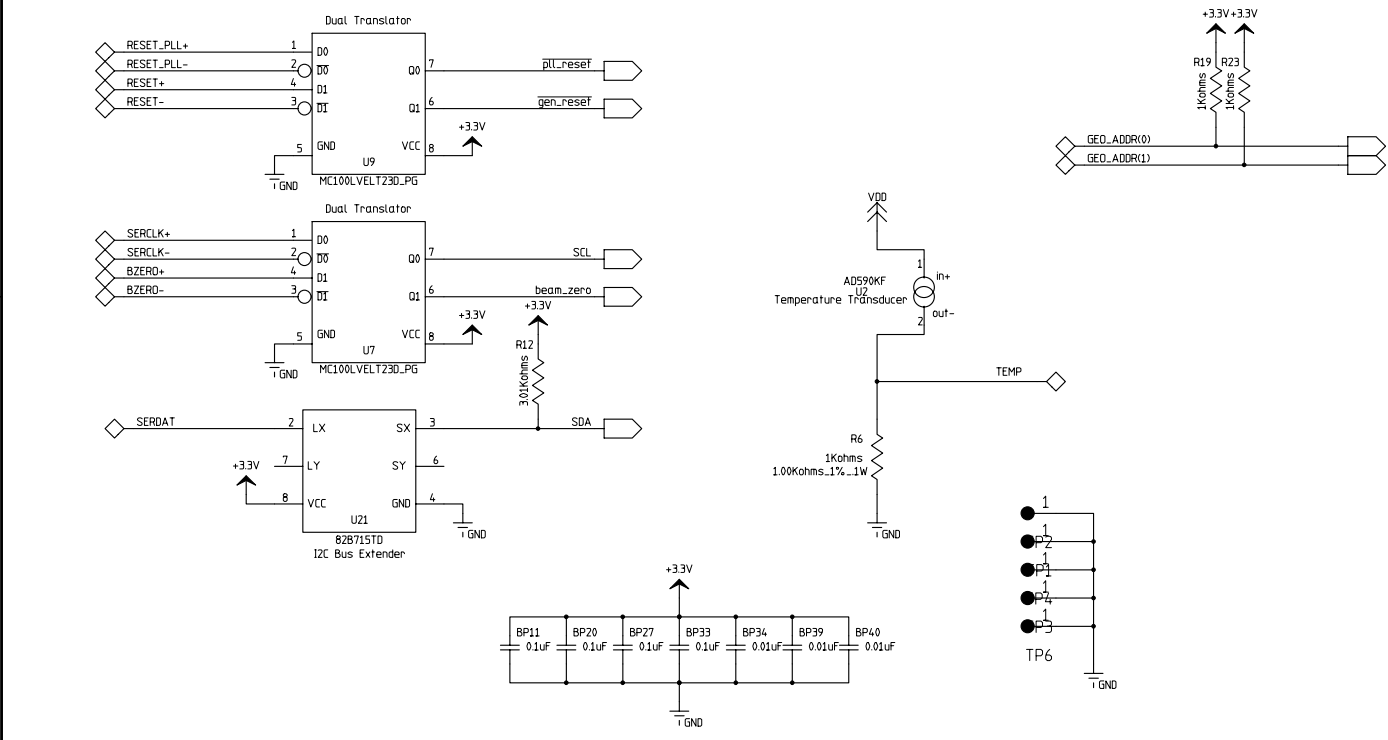
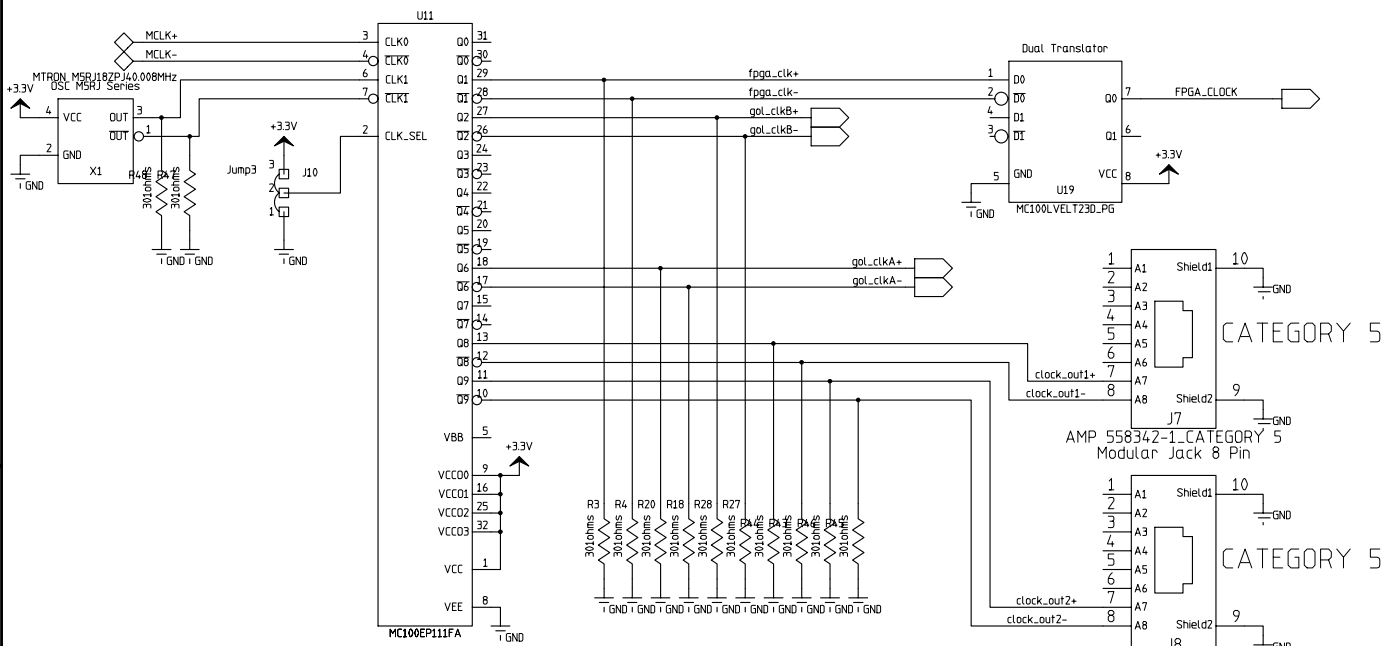


MODIFIED		09:44:03 AM10/21/2002		ORIGINATOR	
UNLESS OTHERWISE SPECIFIED				DRAWN	
FRACTIONS	DECIMALS	ANGLES	CHECKED		
		APPROVED		USED ON	
1. BREAK ALL SHARP EDGES 1/64 MAX.				MATERIAL	
2. DO NOT SCALE DWG.					
3. DIMENSIONING IN ACCORD WITH ANSI Y14.5 STD'S.					
✓ MAX. ALL MACHINED SURFACES					
 <b>Fermi National Accelerator Laboratory</b> United States Department of Energy					
C:\FEE\HCAL\CMS\FEE\HCAL\CMS_FEE.prj					
SIZE	SCALE	FILMED	DRAWING NUMBER	PAGE 01	of 03
D	1:1				REV A

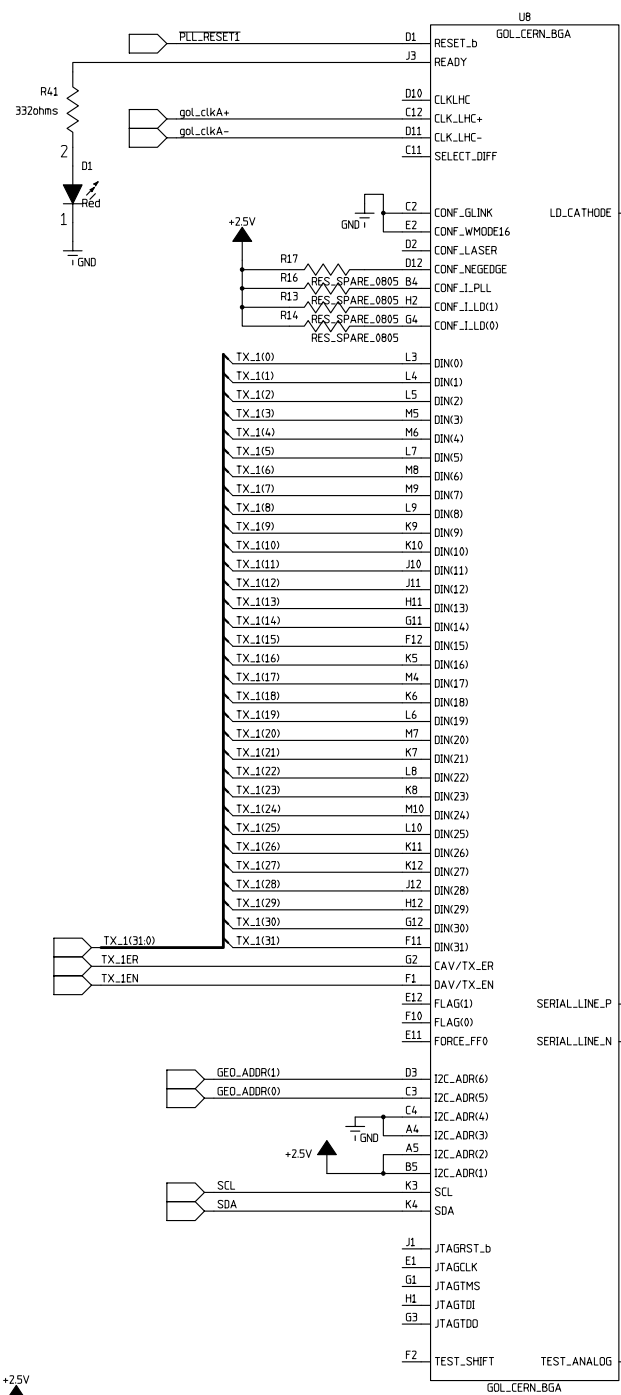


ERNI STV-C/2 48-M-ABC-EE

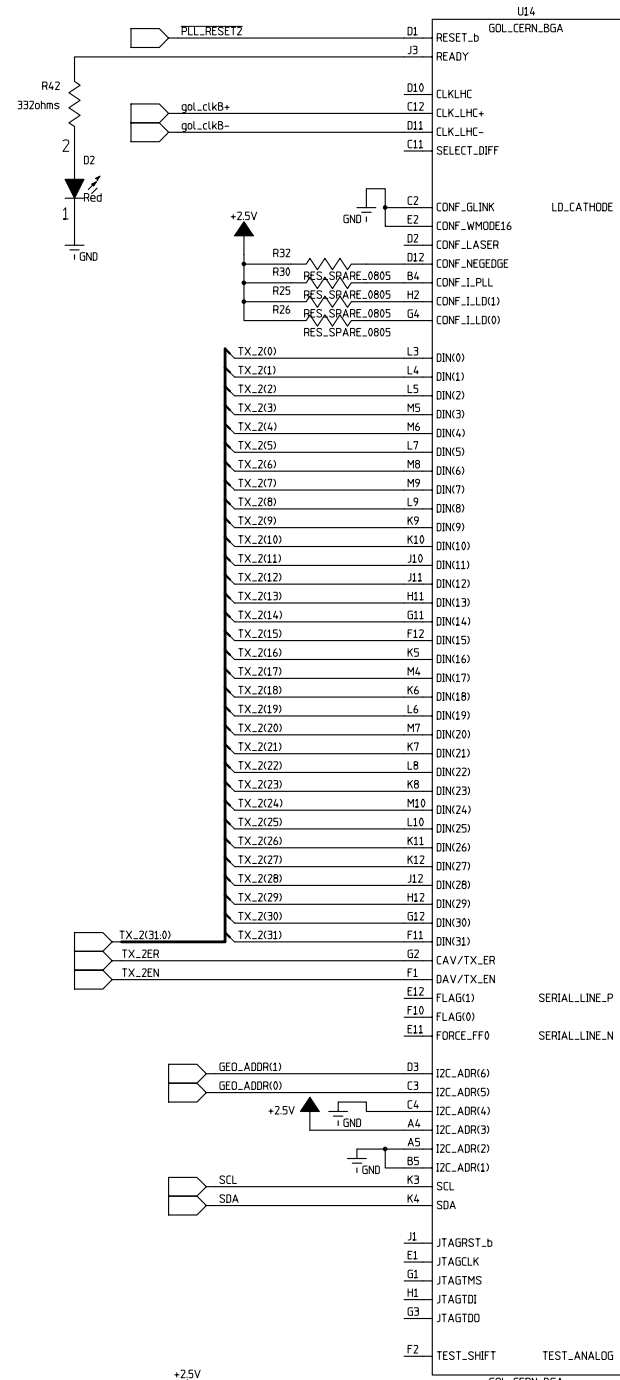
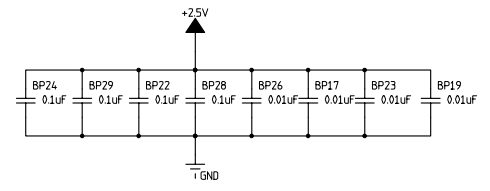
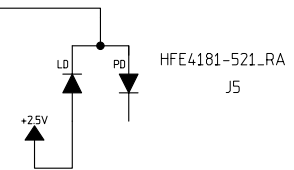


Settings:  
V1=6.5V and V2=5V;  
and no jumpers.

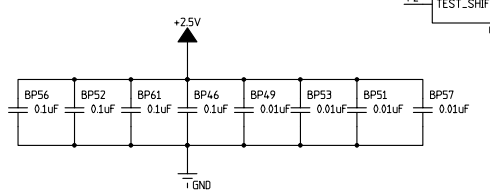
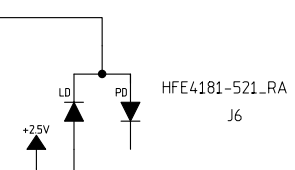
MODIFIED 02:09:37 PM 10/21/2002		ORIGINATOR	
UNLESS OTHERWISE SPECIFIED	FRACTIONS	DECIMALS	ANGLES
			DRAWN
			CHECKED
1. BREAK ALL SHARP EDGES 1/64" MAX.			APPROVED
2. DO NOT SCALE DWG.			USED ON
3. DIMENSIONING IN ACCORD WITH ANSI Y14.5 STD'S.			MATERIAL
✓ MAX. ALL MACHINED SURFACES			
 Fermi National Accelerator Laboratory United States Department of Energy			
C:\FEE\HCAL\CMS\FEE\HCAL\CMS_FEE.prj			
SIZE	SCALE	FILMED	DRAWING NUMBER
D	1:1		PAGE 02 of 03
			REV A



missing serial  
R68=30 Ohm



missing serial  
R69=30 Ohm



MODIFIED 09:11:07 AM 10/09/2002		ORIGINATOR	
UNLESS OTHERWISE SPECIFIED		CHECKED	
FRACTIONS	DECIMALS	ANGLES	DRAWN
1. BREAK ALL SHARP EDGES 1/64 MAX.		APPROVED	
2. DO NOT SCALE DWG.		USED ON	
3. DIMENSIONING IN ACCORD WITH ANSI Y14.5 STD'S.		MATERIAL	
MAX. ALL MACHINED SURFACES			
 Fermi National Accelerator Laboratory United States Department of Energy			
C:\FEE\HCAL\CMS\FEE\HCAL\CMS_FEE.pj			
SIZE	SCALE	FILMED	DRAWING NUMBER
D	1:1		PAGE 03 of 03
REV			A

D

D

C

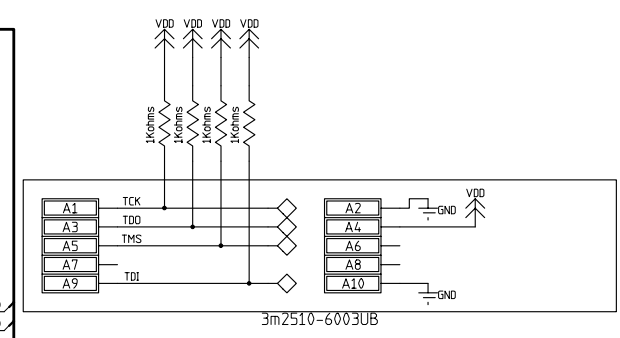
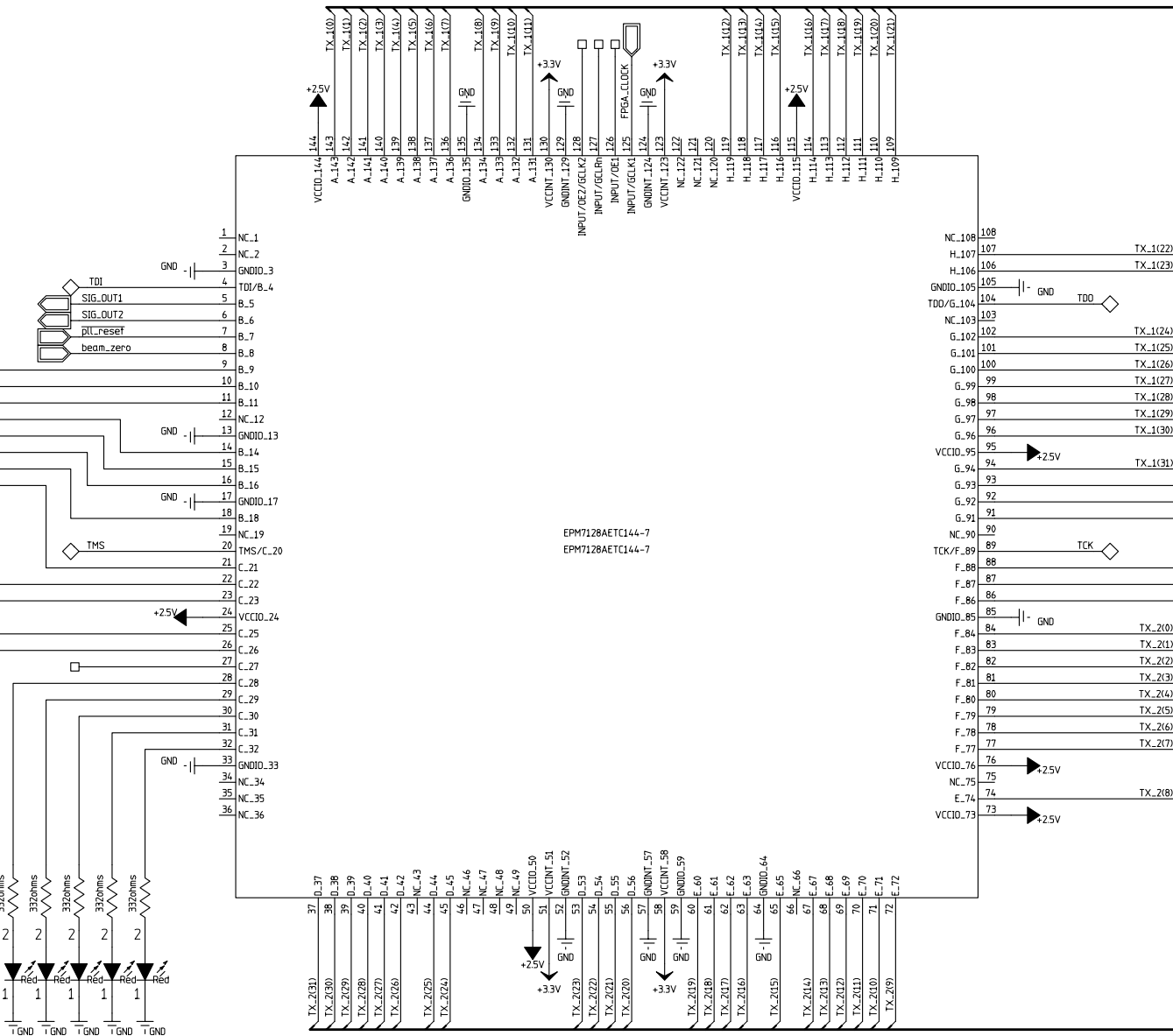
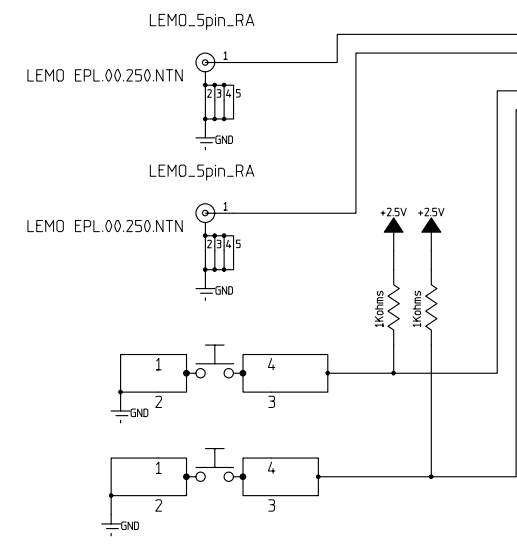
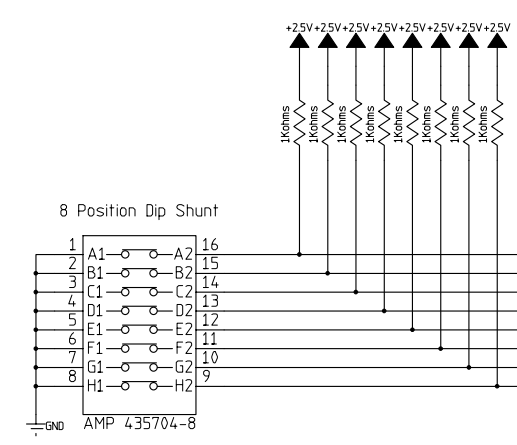
C

B

B

A

A



MODIFIED 02:01:03 PM 10/21/2002		ORIGINATOR	
UNLESS OTHERWISE SPECIFIED		DRAWN	
FRACTIONS	DECIMALS	ANGLES	CHECKED
1. BREAK ALL SHARP EDGES 1/64 MAX.		APPROVED	
2. DO NOT SCALE DWG.		USED ON	
3. DIMENSIONING IN ACCORD WITH ANSI Y14.5 STD'S.		MATERIAL	
MAX. ALL MACHINED SURFACES			
 Fermi National Accelerator Laboratory United States Department of Energy			
C:\FEE\HICAL\CMS\FEE\HICAL\CMS_FEE.pj			
SIZE	SCALE	FILMED	DRAWING NUMBER
D	1:1		PAGE 01 of 01
			REV A